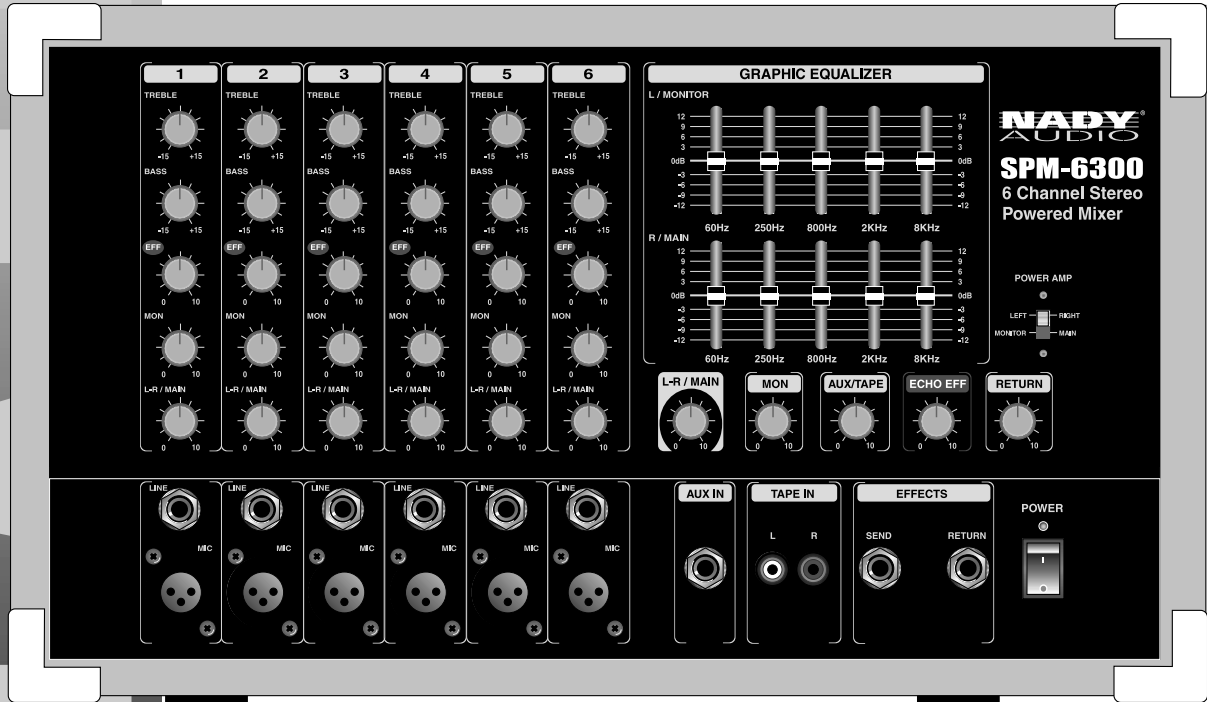


# NADY<sup>®</sup> AUDIO

## OWNER'S MANUAL



# SPM-6300

6 Channel Stereo Powered Mixer

# SPM-6300

## 6-Channel Stereo Powered Mixer



Congratulations on your choice of the NADY SPM-6300 Stereo Powered Mixer — you have purchased one of the finest stereo powered mixing units on the market today. This unit was developed using the expertise of professional sound engineers and working musicians. You will find that your new SPM-6300 has superior performance and greater flexibility than any other stereo powered mixers in its price range. Please read this manual carefully to get the most out of your new unit.

Thanks for selecting NADY AUDIO as your choice in stereo powered mixing unit.



## FEATURES

- 6 input channels with balanced XLR Mic and 1/4" balanced line inputs
- Fan-cooled, bipolar amplifier — 2 x 150W RMS @ 4 ohms (1% THD) both channels driven from 1/4" speaker jacks
- Built-in Echo Effects DSP emulates room, hall, and stadium decay reverbs
- Input controls include channel Treble and Bass EQ's; channel EFF Send; Monitor volume and L-R/Main volume controls
- Aux Input, Effects Send and Return; Tape/CD Input stereo RCA jacks
- Stereo 5 band master EQ; Main and Monitor volume controls with L-R/Main-Monitor selector switch; Aux/Tape and Effects Return volume controls
- Rugged road carrying case with reinforced corners and carrying handle for long life and easy portability
- Internal shielded AC supply with 115V(60Hz)/230V(50Hz) selector switch

## TABLE OF CONTENTS

<b>FEATURES</b> .....	2
<b>WARNING</b> .....	3
<b>INSTALLATION</b> .....	4
<b>FRONT PANEL CONTROLS &amp; CONNECTIONS</b> .....	5
<b>REAR PANEL CONTROLS &amp; CONNECTIONS</b> .....	8
<b>CONNECTION</b> .....	9
<b>SPECIFICATIONS</b> .....	10
<b>NOTES</b> .....	11

Date of Purchase \_\_\_\_\_

Dealer's Name \_\_\_\_\_

City \_\_\_\_\_

State \_\_\_\_\_ Zip \_\_\_\_\_

Model # \_\_\_\_\_

Serial # \_\_\_\_\_

# WARNING



An equilateral triangle enclosing a lightning flash/arrowhead symbol is intended to alert the user to the presence of uninsulated “dangerous voltage” within the product’s enclosure which may be of sufficient magnitude to constitute a risk of electric shock.



An equilateral triangle enclosing an exclamation point is intended to alert the user to the presence of important operating and service instructions in the literature enclosed with this unit.

## IMPORTANT SAFETY INSTRUCTIONS

When using this electronic device, basic precautions should always be taken, including the following:

1. Read all instructions before using the product.
2. Do not use this product near water (e.g., near a bathtub, washbowl, kitchen sink, in a wet basement, or near a swimming pool, etc.).
3. This product should be used only with a cart or stand that will keep it level and stable and prevent wobbling.
4. This product, in combination with headphones or speakers, may be capable of producing sound levels that could cause permanent hearing loss. Do not operate for a long period of time at a high volume level or at a level that is uncomfortable. If you experience any hearing loss or ringing in the ears, you should consult an audiologist.
5. The product should be positioned so that proper ventilation is maintained.
6. The product should be located away from heat sources such as radiators, heat vents, or other devices (including amplifiers) that produce heat.
7. The product should be connected to a power supply only of the type described in the operating instructions or as marked on the product. Replace the fuse only with one of the specified type, size, and correct rating.
8. The power supply cord should: (1) be undamaged, (2) never share an outlet or extension cord with other devices so that the outlet’s or extension cord’s power rating is exceeded, and (3) never be left plugged into the outlet when not being used for a long period of time.
9. Care should be taken so that objects do not fall into, and liquids are not spilled through, the enclosure’s openings.
10. The product should be serviced by qualified service personnel if:
  - A. The power supply cord or the plug has been damaged.
  - B. Objects have fallen into, or liquid has been spilled onto the product.
  - C. The product has been exposed to rain.
  - D. The product does not appear to operate normally or exhibits a marked change in performance.
  - E. The product has been dropped, or the enclosure damaged.
11. Do not attempt to service the product beyond what is described in the user maintenance instructions. All other servicing should be referred to qualified service personnel.

# INSTALLATION

To ensure years of enjoyment from your NADY AUDIO SPM-6300 powered mixer, please read and understand this manual thoroughly before using the unit.

## 1. INSPECTION

Your NADY AUDIO SPM-6300 was carefully packed at the factory in packaging designed to protect the units in shipment. Before installing and using your unit, carefully examine the packaging and all contents for any signs of physical damage that may have occurred in transit.

*[Please note: Nady Systems is not responsible for shipping damage. If your unit is damaged, do not return to Nady, but notify your dealer and the shipping company (if shipped to you) immediately to make a claim. Such claims must be made by the consignee in a timely manner.]*

## 2. SETUP AND OPERATION

Parts of the unit can become very warm during use. This is normal during operation. Care should be taken to ensure that there is enough space around the unit for cooling. Also, do not place the SPM-6300 on high temperature devices such as power amplifiers, etc., or the unit may overheat in operation.

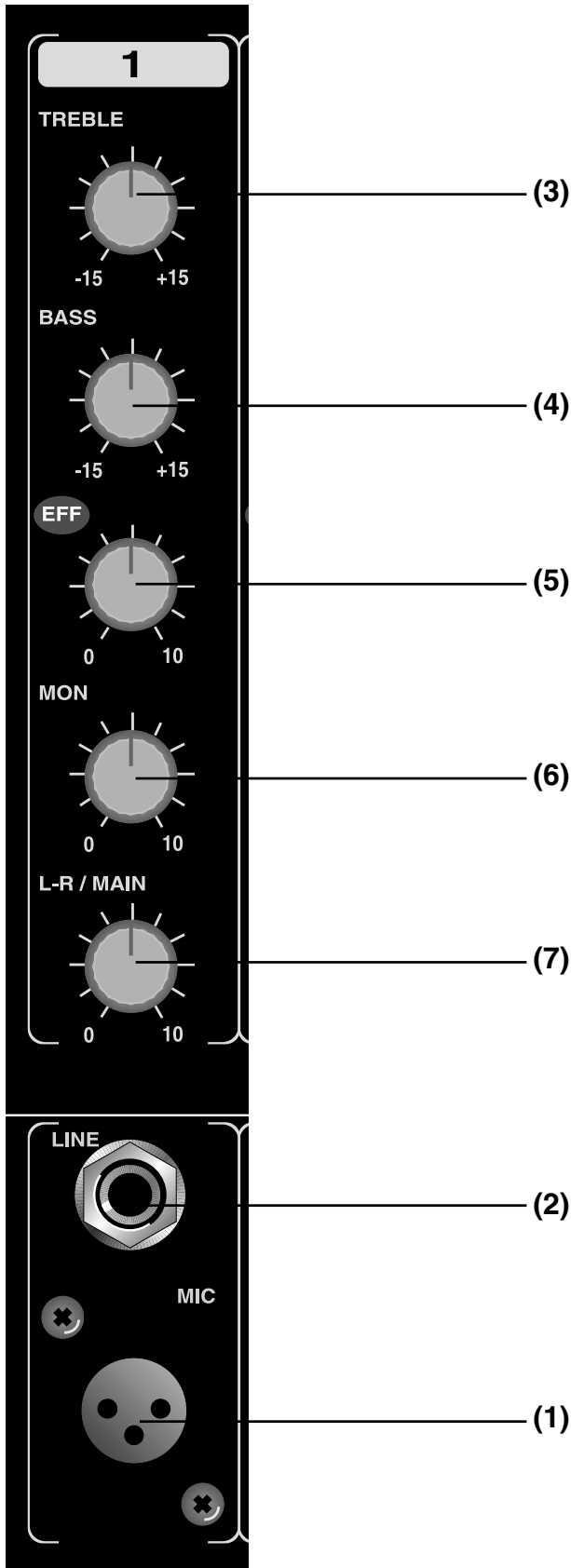
Although the unit's chassis is shielded against radio frequency (RF) and electromagnetic interference (EMI), extremely high fields of RF and EMI should be avoided.

Please make sure that the power unit supplied is marked for the correct voltage in your area (120VAC/60 Hz or 230VAC/50 Hz). Power requirements for electrical equipment differ from area to area. In new installations and portable sound systems, or any situation in which the AC power is in question, it is wise to confirm the voltage and use the appropriate power supply unit before connecting it to power sources.

Europe (except UK): 230V, 50Hz  
UK and Australia: 240V, 50Hz  
USA and Canada: 120V, 60 Hz  
For other areas, please check with local authorities.

When ready to operate, plug the AC cord into the power source. Make sure that the unit is turned off before connecting to the AC power source to avoid possible loud transients which can damage your speakers or your ears.

# FRONT CONTROLS AND CONNECTIONS



## CHANNEL SECTION

### (1) MIC INPUT

This electronically balanced XLR input is designed to accept signals from any balanced or unbalanced low impedance (Low Z) microphone. The XLR jack is configured for: Pin1 = ground, Pin2 = positive (+), Pin3 = negative (-).

### (2) LINE INPUT

This 1/4" input is designed to accept balanced or unbalanced line-level signals such as those from keyboards, drum machines, or samplers. If a balanced signal is to be connected to the line input, then a 1/4" TRS (stereo) phone plug should be wired for: Tip = positive (+), Ring = negative (-), Sleeve = ground.

*(Note: Only the Mic or the Line input of a given channel should be connected at one time. Do not connect both at the same time.)*

### (3) TREBLE EQ

Turn to the right to boost high frequencies, adding crispness to percussion from drum machines, cymbals, and synths. Turn to the left to cut these frequencies, reducing sibilance or hiss. The control has a shelving response providing 15dB of boost or cut at 10kHz.

### (4) BASS EQ

This control provides 15dB of boost or cut at 90Hz. Boosting the Bass control, by turning to the right, can fatten the sound, adding warmth to vocals or extra punch to bass, drums and synths. Turn to the left to reduce stage rumble, hum, or to improve a mushy sound. Cutting the Treble and Bass controls, then pushing up the subsequent volume control is equivalent to a mid range boost.

### (5) EFFECT CONTROL

The Effect control adjusts the signal level sent by each channel to the internal Echo Effects DSP (Digital Sound Processor). The Effect controls are post Channel EQ and the signal level sent to the EFF bus will not be affected by the channel volume settings. This control also adjusts the level of the un-effected signal sent to the **Effect Send (13)** output.

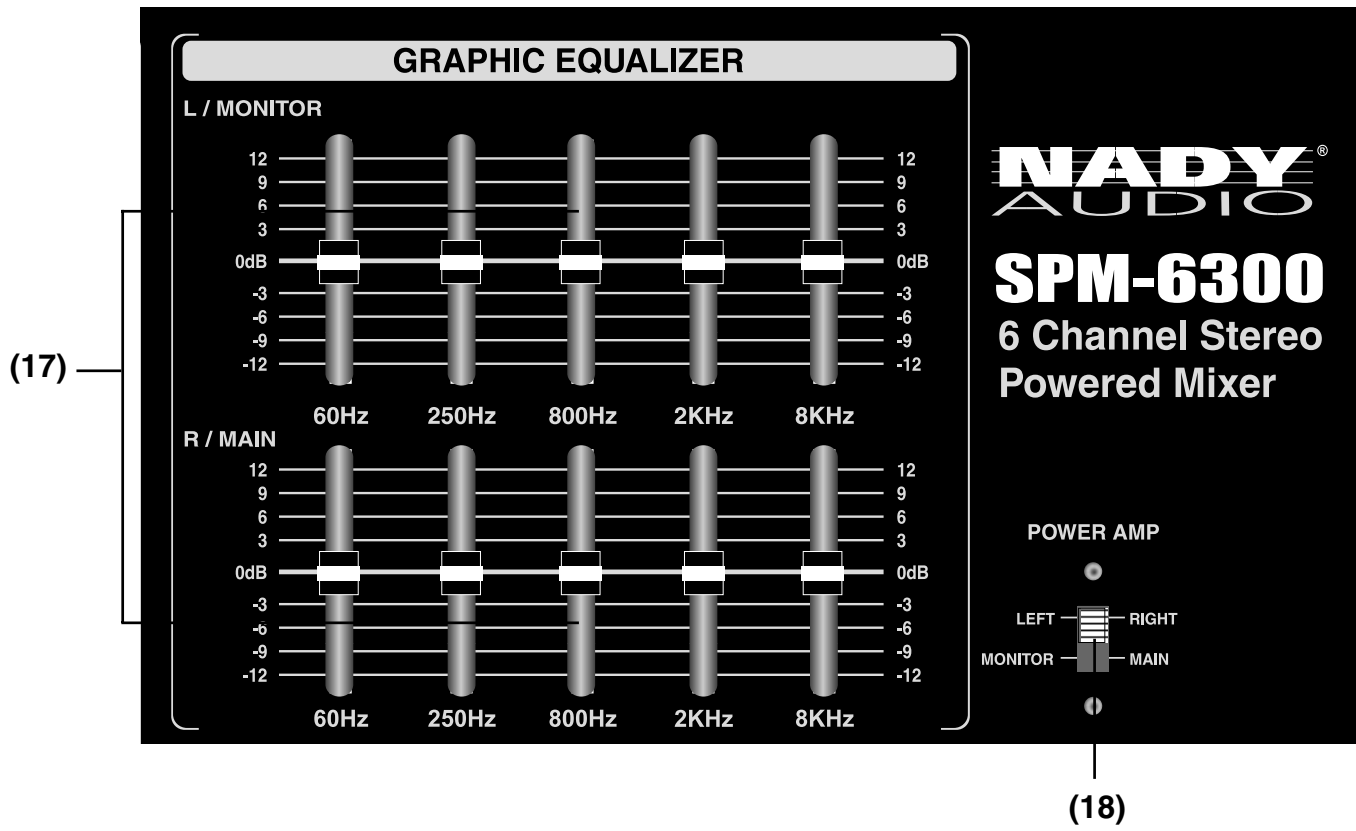
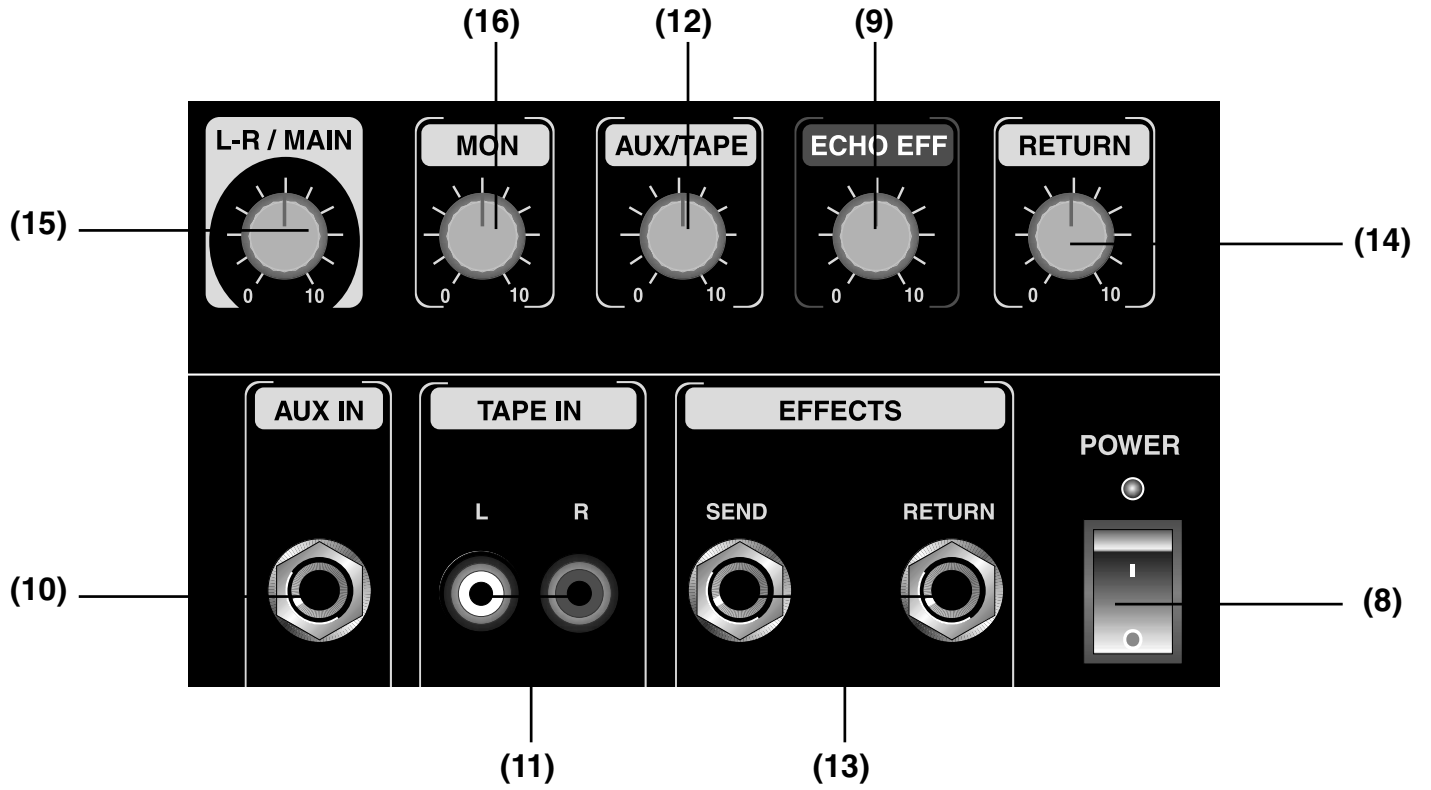
### (6) MONITOR VOLUME

The Monitor Volume control adjusts the channel signal level sent to the **Monitor Master Volume (16)** when the **Power Amp Selector Switch (18)** is set to Monitor-Main. This control can be adjusted to set the desired monitor mix. The Monitor Volume control is not active when the selector switch is set to Left-Right.

### (7) LEFT-RIGHT / MAIN VOLUME

The Left-Right Volume control adjusts the channel signal level sent to the master **L-R/Main Volume control (15)**. This control can be adjusted to set the desired level for the channel in the mix.

# FRONT CONTROLS AND CONNECTIONS



# FRONT CONTROLS AND CONNECTIONS

## MASTER SECTION

### (8) POWER ON/OFF SWITCH & LED

This switch turns the unit on and off and the LED indicator will light when the unit is on.

### (9) ECHO EFFECT

This control adjusts the feedback/decay time of the internal Echo Effects DSP. Set this control slightly above minimum to emulate room reverbs and adjust towards maximum for hall and stadium decay reverbs.

### (10) AUX INPUT

The 1/4" Aux input jack can be used to add line level audio signals to the master mix. This signal level is affected by the **Aux/Tape control (12)**, **L-R/Main Volume (15)**, **Monitor Volume (16)** and **5-Band EQ's (18)**.

### (11) TAPE INPUT

The Left and Right Tape Input RCA jacks allow cassette recorders, CD players, or MP3 players to be added to the master mix output. These signal levels are affected by the **Aux/Tape control (12)**, **L-R/Main Volume (15)**, **Monitor Volume (16)** and **5-Band EQ's (17)**.

### (12) AUX/TAPE VOLUME

This volume control adjusts the signal level in the master mix of the Aux and Tape inputs. It is pre **L-R/Main Volume (15)**, **Monitor Volume (16)** and **5-Band EQ's (17)**.

### (13) EFFECTS SEND & RETURN

The Effect Send 1/4" jack provides a mono mixed signal output from each input channel to an external effects unit, external amplifier, or recording device. The audio mix is adjusted by the EFF control of each channel. The signal output is not effected by the internal reverb. The Effects Return input jack can be used to return the signal into the SPM-6300 or it can be used as another auxiliary input for line level devices. The input signal can be adjusted using the **Effects Return Volume (14)** and also the output volume of the external device.

### (14) EFFECTS RETURN VOLUME

The Effects Return input signal can be adjusted using this control.

### (15) LEFT-RIGHT / MAIN MASTER VOLUME

This control sets the level of the stereo left and right signal sent to the left and right **Speaker Outputs (19)** when the **Power Amp Selector Switch (18)** is set to Left-Right. When the selector switch is set to Monitor-Main, this control adjusts the level of the **Main Speaker Output (19)**.

### (16) MONITOR MASTER VOLUME

This control sets the level of the Monitor mix sent to the **Monitor Speaker Output (19)** when the **Power Amp Selector Switch (18)** is set to Monitor-Main. This control is not active when the selector switch is set to Left-Right.

### (17) STEREO 5-BAND GRAPHIC EQ

The dual 5-band graphic equalizers allow you to adjust the frequency response of the Left-Right outputs, or the Monitor-Main outputs, allowing final tonal adjustments. These provide a maximum of 12dB cut or boost from the flat position for each frequency band; 60Hz/250Hz/800Hz/2KHz/8KHz. The faders can be adjusted to easily eliminate feedback at the corresponding frequency or audibly color the final mix.

### (18) POWER AMP SELECTOR SWITCH

This switch selects which signals are sent to the internal power amps. When Left-Right is selected, the stereo signal from the **L-R Master Volume (15)** is sent to separate Left and Right **5-Band EQ's (17)** and then continues to the Left and Right **Speaker Outputs (19)**. When Monitor-Main is selected, the signal from the **Main Master Volume (15)** is sent to the Main 5-Band EQ, then to the Main Speaker Output, and the signal from the **Monitor Master Volume (16)** is sent to the Monitor 5-Band EQ, then to the Monitor Speaker Output.

# REAR CONTROLS AND CONNECTIONS



## (19) SPEAKER OUTPUT JACKS

The R/Main and L/Monitor outputs are for the Right and Left, or Main and Monitor outputs respectively depending on the **Power Amp Selector Switch (18)** setting. The 1/4" speaker outputs can deliver up to 150W RMS per side to 4Ω loads. Speaker loads less than 4Ω are not recommended and could result in overheating and damage to the internal amplifiers. If the output audio is noticeably distorted, or sounds like it is turn down the master volume controls immediately to avoid clipping which can damage you speakers and the SPM-6300 power amp with excessive neglect.

If the mixer has been running constantly for several hours, make sure the rear panel is not getting too hot to avoid over-heating the unit and causing thermal runaway. If it is getting very hot, either turn the audio down some or let the SPM-6300 idle with no output signal and the fan on. **CAUTION — REAR PANEL CAN GET VERY HOT!!** Keep panel away from flammable objects. For maximum cooling, ventilation, and efficiency, keep mixer away from walls or other objects.

## (20) POWER CONNECTOR & FUSE COMPARTMENT

The IEC socket is used to connect the power cord to an AC power source. Replace with only the same type fuse as listed in the **SPECIFICATIONS**. If it blows continuously, do not use the unit and have it serviced by qualified personnel.

*(Caution: Do not remove the center grounding pin.)*

## (21) AC VOLTAGE SELECTOR SWITCH

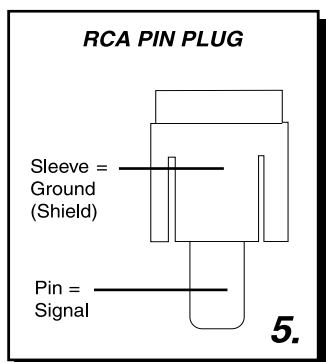
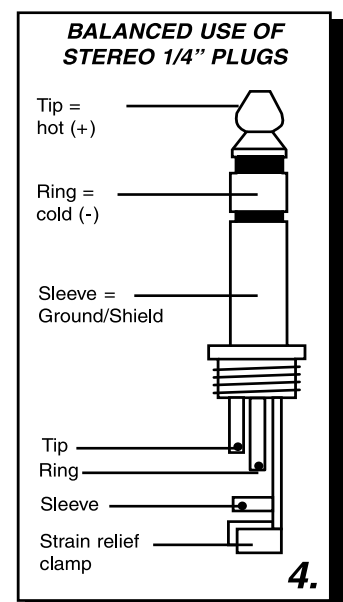
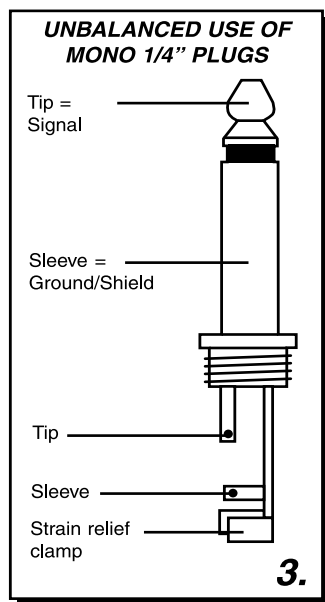
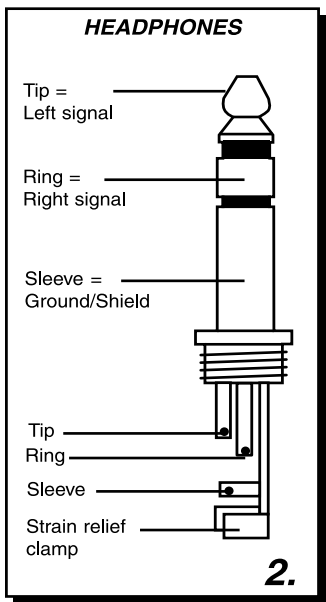
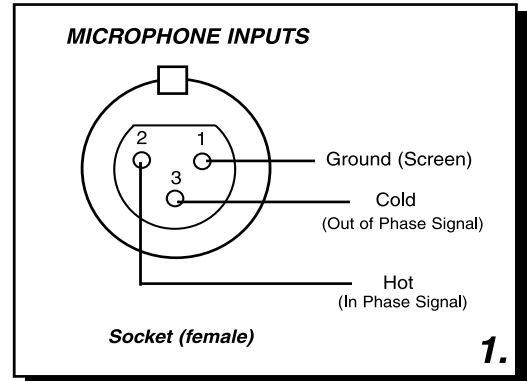
Before plugging in the power cord, check to see that the unit is set for the proper voltage for your area: ~115V (60Hz) or ~230V (50Hz).

# CONNECTIONS

This NADY AUDIO mixer uses 4 different types of audio connectors for the various input/output connections: (1) XLR balanced; (2) 1/4" TRS phone jacks for balanced, unbalanced, stereo, or in/out inserts; (3) 1/4" TS unbalanced; (4) RCA pin unbalanced

## Figures

1. Balanced XLR input connections
2. Stereo headphone connection with 1/4" TRS plug
3. 1/4" mono (TRS) plug used as unbalanced input/output
4. 1/4" stereo (TRS) plug used as balanced input/output
5. RCA pin plug for unbalanced input/output





# NOTES

## **SERVICE FOR YOUR NADY AUDIO PRODUCT**

**(U.S.)** Should your NADY AUDIO product require service, please contact the Nady Service Department via telephone at (510) 652-2411, or e-mail at [service@nady.com](mailto:service@nady.com).

**(International)** For service, please contact the NADY AUDIO distributor in your country through the dealer from whom you purchased this product.

DO NOT ATTEMPT TO SERVICE THIS UNIT  
YOURSELF AS IT CAN BE DANGEROUS AND  
WILL ALSO VOID THE WARRANTY.



NADY SYSTEMS, INC. • 6701 SHELLMOUND STREET, EMERYVILLE, CA 94608  
Tel: 510.652.2411 • Fax: 510.652.5075 • [www.nady.com](http://www.nady.com)