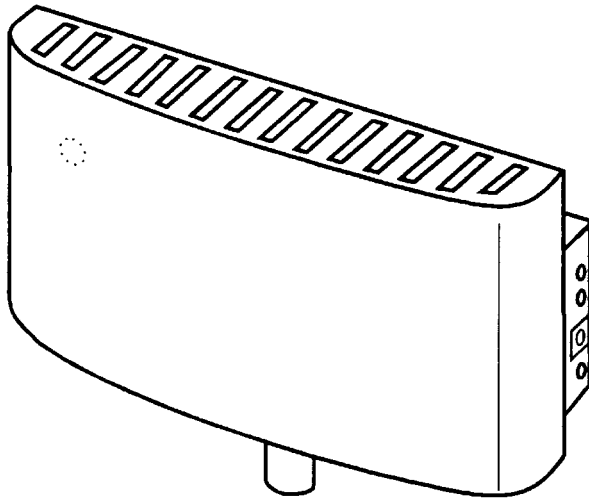


NADY IR SYSTEM 200

DUAL CHANNEL PROFESSIONAL INFRARED TRANSMISSION SYSTEM



OWNER'S MANUAL

Please read before using equipment

Congratulations on purchasing the Nady IR System 200. The versatile IR System 200 can be operated either stereo or dual channel (as for dual language application) and sets the new standard in large area hearing assistance infrared technology, performance and value.

Perfect for multiple room and secured transmission applications as its IR transmissions are contained in the room in which it is transmitted, the IR System 200 is the ideal choice for ALD use in schools, multi-screen

cinemas, churches, halls, courtrooms, and many other public meeting places. Unlike with radio ALD systems, no frequency coordination is required, and the same receiver/headphone can be used in different rooms with different programming. The Nady IR System 200 consists of the :

IR-200: 2 channel single-unit emitter/transmitter (separate channels or stereo)

IR-210: Stereo headphone receiver

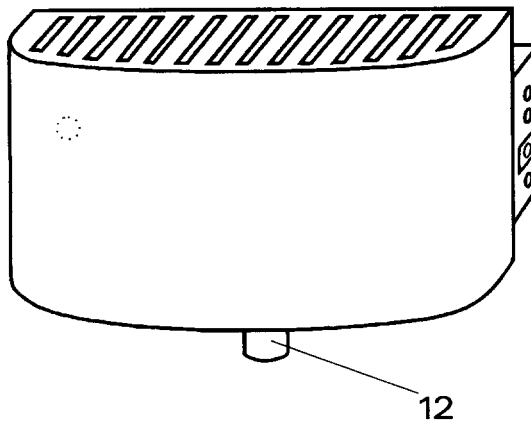
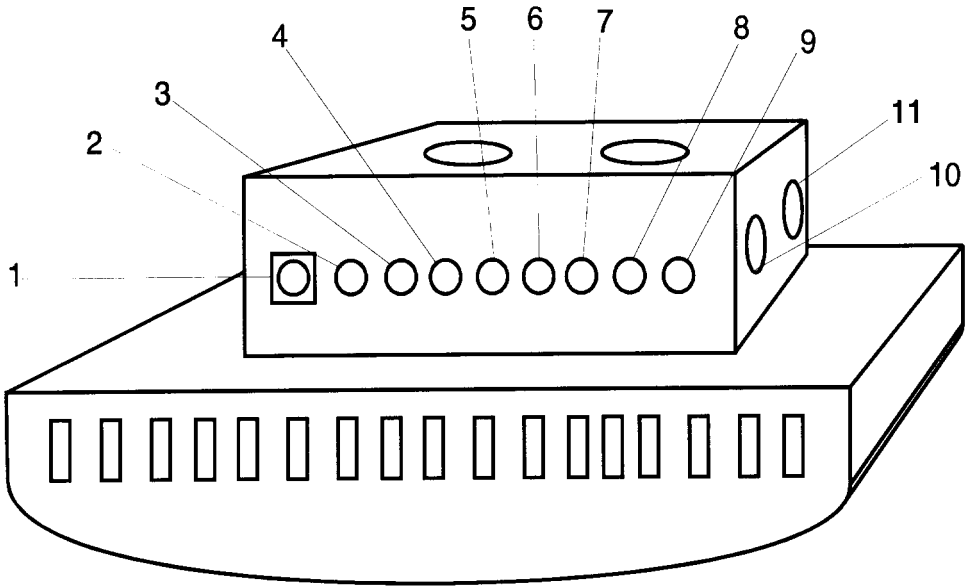
IR-211: Dual channel selectable (A/B) headphone receiver

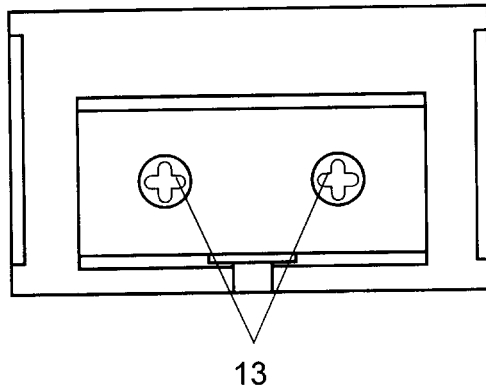
FEATURES

- * Advanced 2.3/2.8MHz IR transmission eliminates ballast lighting interference.
- * 4000 sq. ft. (370 sq. m.) coverage can be extended indefinitely with easy daisy chaining.
- * IR-200 can be wall mounted or on optional stand for portable temporary setups and features built-in amplifiers and ALC(automatic level control) to ensure comfortable listening levels.
- * Choice of IR-210 receivers for stereo or IR-211 receivers for dual (separate) channel operation. Any number of either can be used in an installation. Both feature adjustable headbands for universal comfortable fit and dual volume controls.

CONTROLS AND CONNECTIONS

IR-200 TRANSMITTER



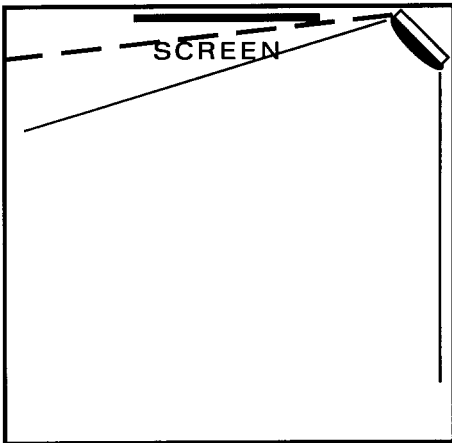


(Fig.A)

- | | |
|-----------------------------------|---|
| 1. Power socket DC 28V | 8. L mic in (or A CH. mic in) |
| 2. L audio in (or A CH. audio in) | 9. R mic in (or B CH. mic in) |
| 3. L sync out (or A CH. sync out) | 10. (L) LED indicator (or A CH. LED) |
| 4. L sync in (or A CH. sync in) | 11. (R) LED indicator (or B CH. LED) |
| 5. R sync in (or B CH. sync in) | |
| 6. R sync out (or B CH. sync out) | |
| 7. R audio in (or B CH. audio in) | 12. Mounting supportor |
| | 13. Wall mounting hole |

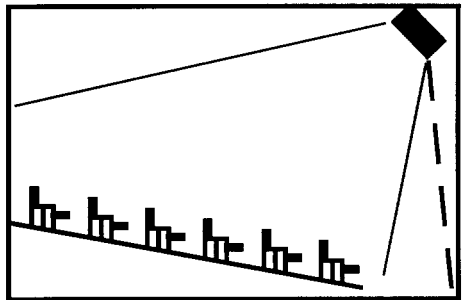
INSTALLING THE TRANSMITTER :

In most rooms, the system will work best if there is a clear line of site (without obstructions) from the emitter/ transmitter to the receivers as shown below,

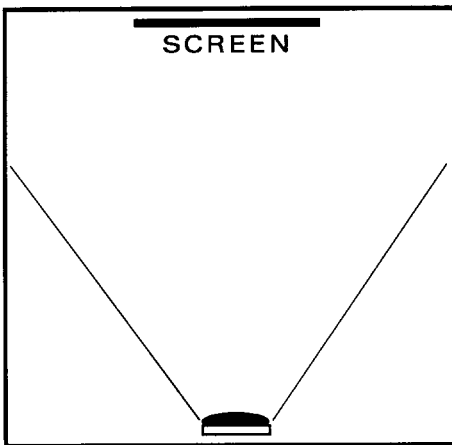


TOP VIEW (Fig.B)

FRONT MOUNTED EMITTER

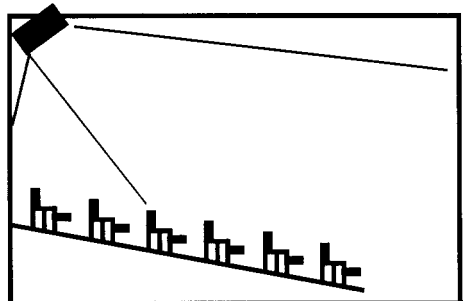


SIDE VIEW (Fig.C)



TOP VIEW (Fig.D)

REAR MOUNTED EMITTER



SIDE VIEW (Fig.E)

OPERATING THE TRANSMITTER

1. An AC/DC adaptor is supplied with your transmitter. First insert the adaptor's output jack into the DC "power" socket.
2. Connect the signal input cord to the audio equipment. Insert the RCA plug into the Audio In jacks(chB/Left, chA/Right).
3. Insert the AC plug of the adaptor into the AC socket. The infrared light will shine. Turn on the audio source, and adjust the signal level until the input level indicator turns on.
4. If you wish to talk, a 600 Ohm dynamic phone (or high impedance condenser mic.) can be inserted into the "Mic in"jack and your voice can be mixed with the audio signal.
5. The transmitter can be mounted on the wall by the mounting hole located on the back of the transmitter, or it can be supported by a tripod or other bracket.

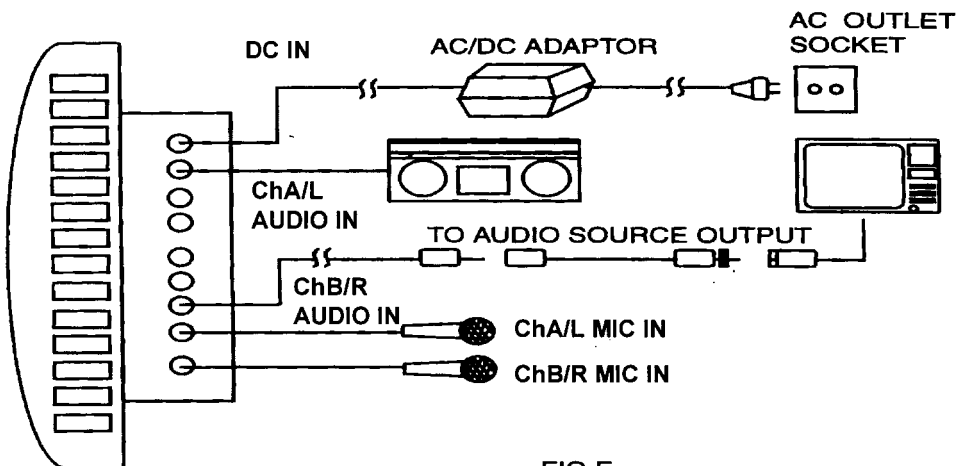
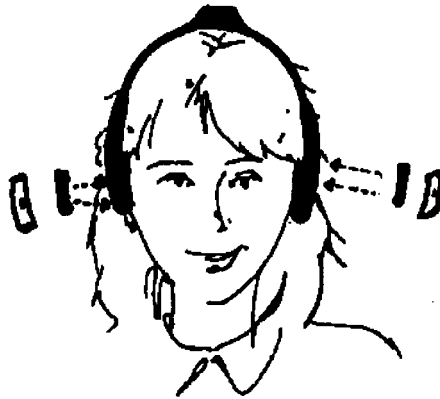


FIG.F

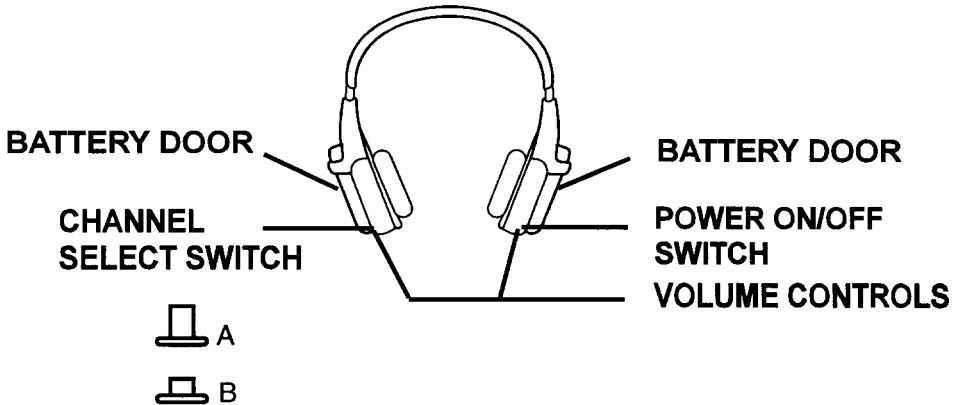
HOW TO OPERATE THE IR-211 RECEIVER HEADPHONE

The headphone receiver is powered by 2 x AAA batteries, and features an on/off switch and volume control. Adjust the size of the headphones by pulling down on each end (or pushing up to shorten). One size fits all. Use the channel select switch on the left(L) side of the headphone to change from Channel 1 to 2.



Power is supplied by 2 x AAA batteries.

Switch on the power on/ off switch and adjust the volume as needed.



EXPANDING THE SYSTEM

The basic system provides up to 4000sq.ft.(370sq.m.) coverage. Any number of IR-200 transmitters can easily be daisy chained together for greater coverage via dual sync in & sync out connectors on each unit as shown below. The audio sources are connected to the master IR-200 transmitter.

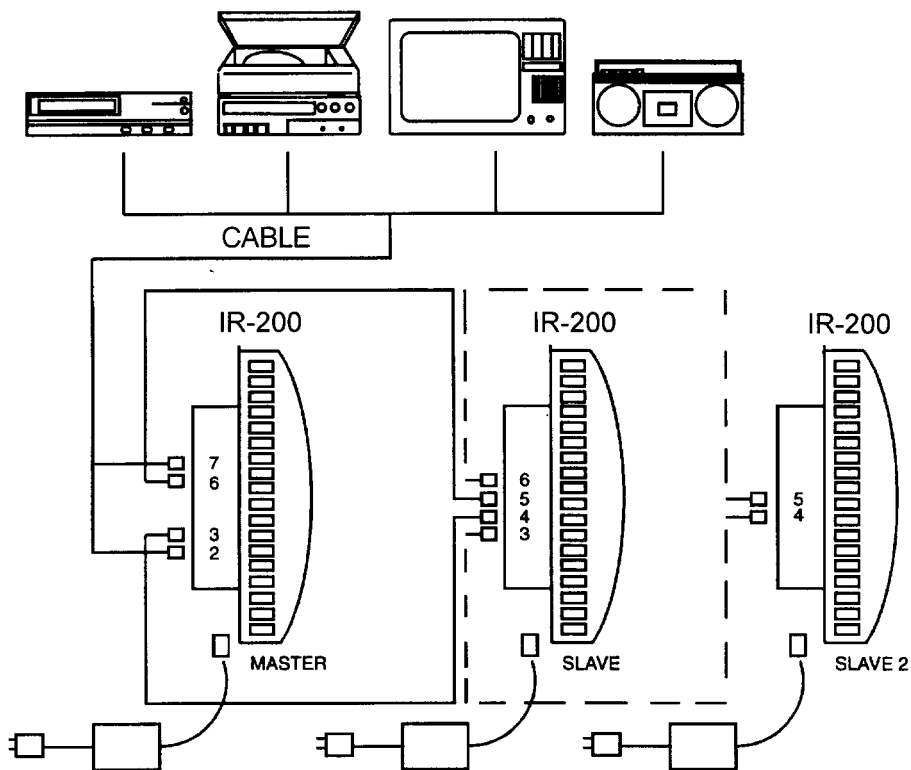


FIG.G

TROUBLESHOOTING GUIDE

Infrared light not on	<ul style="list-style-type: none">* AC adaptor is not inserted into power outlet.* AC plug is not inserted into the transmitter.
Input indicator not on source.	<ul style="list-style-type: none">* Sound source output is too low.* The audio cord is not connected to the audio
No sound installed.	<ul style="list-style-type: none">* Transmitter is not on.* Receiver has no battery* Headphone plug is not properly connected.
Sound too low	<ul style="list-style-type: none">* Audio level is too low. (Green led is not on).* Receiver volume control is low.
Poor sound quality (Distortion)	<ul style="list-style-type: none">* Transmitter input level is too high.* Batteries need replacement in receiver
Intermittant noise	<ul style="list-style-type: none">* Receiver is out of range* Line of sight is poor between the receiver and transmitter (relocate transmitter and/or receiver for better operation)

SPECIFICATION

1. TRANSMITTER

Operating Voltage		: 28V DC
Current drain		: 700 mA
Carrier frequency	CH.L(CH.A)	: 2.3MHz
	CH.R (CH.B)	: 2.8MHz
Input impedance	(Audio in)	: 18 Kohm
	(Mic. in)	: 1.3Kohm
Green led light on input level	(Audio in)	: 110 mV
	(Mic. in)	: 1.5 mV
ALL RANGE @ +/- 3dB	Lower	: 400 Mv
	Upper	: 6v
Transmission Distance		: 30 m

2. RECEIVER HEADPHONE

Operating Voltage		: 3V DC (2 x AAA)batteries
Current drain (No signal)		: 10 mA
Current drain (Max.signal)		: 25 mA
Output power maximum		: 6 mW
T.H.D.		: 1.5%
S/N		: 58 dB
Frequency response	(lower)	: 50 Hz
	(upper)	: 12 kHz
Minimum volume hum		: 3 mV
Battery life(Alkaline)		: up to 20 hours

SERVICE

(U.S.) Should your Nady IR System 200 require service, please contact the Nady Service Department, via phone at (510) 652-2411, or E-mail at service@nadywireless.com

(INTERNATIONAL) For service, please contact the Nady distributor in your country, through the dealer from whom you purchased this product.

Do not attempt to service this unit yourself as it will void your warranty.